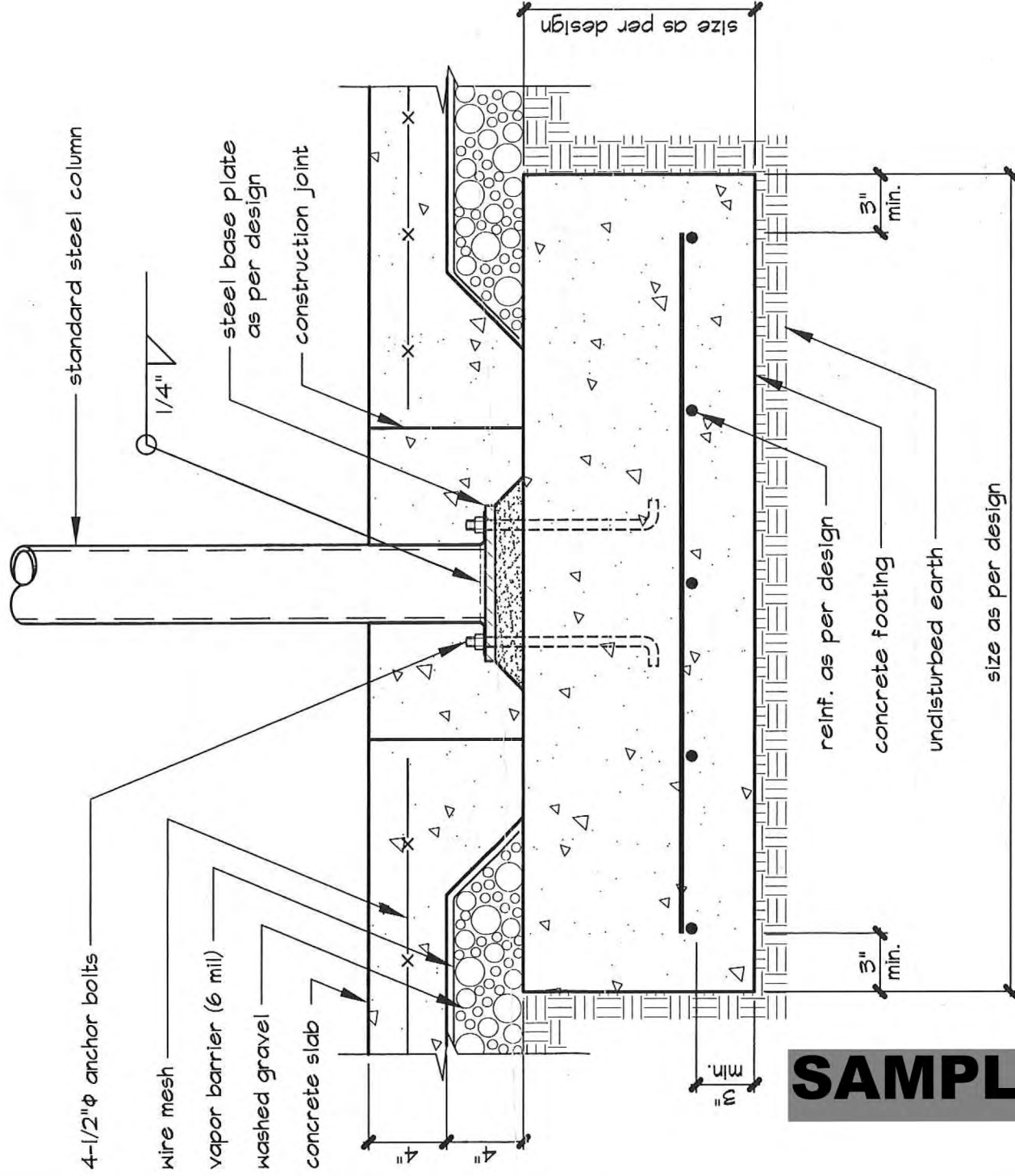


Refer to base plate
setting options
on sheet "CF-2"



SAMPLE

Notes

- 1.) Floor joists shall be securely fastened to the 2x wood plate.
- 2.) For wood beams, the steel cap plate shall be a minimum of 1/2" thick x 8" long and the width shall match the width of the beam.
- 3.) For steel beams the steel cap plate shall be a minimum of 8" long and the thickness and width shall match the size of the beam flange.
- 4.) Steel columns shall not be less than 3-inch inside diameter standard pipe (schedule 40).

WARNING AND DISCLAIMER

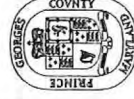
This drawing is intended only to be illustrative of the minimum requirements of applicable County ordinances. It is not a blue print, nor a set of plans and specifications. PRINCE GEORGE'S COUNTY, MARYLAND DOES NOT WARRANT OR GUARANTEE IN ANY MANNER OR TO ANY EXTENT THE SUFFICIENCY OF THIS DRAWING. Persons to whom this drawing is distributed should not rely on it as an acceptable plan or blue print for any structure. PRINCE GEORGE'S COUNTY, Maryland DISCLAIMS ANY AND ALL LIABILITY FOR DAMAGES OR INJURIES, DIRECT OR CONSEQUENTIAL, ARISING OUT OF THE USE OF THIS DRAWING.

Drawing No.

CF-1

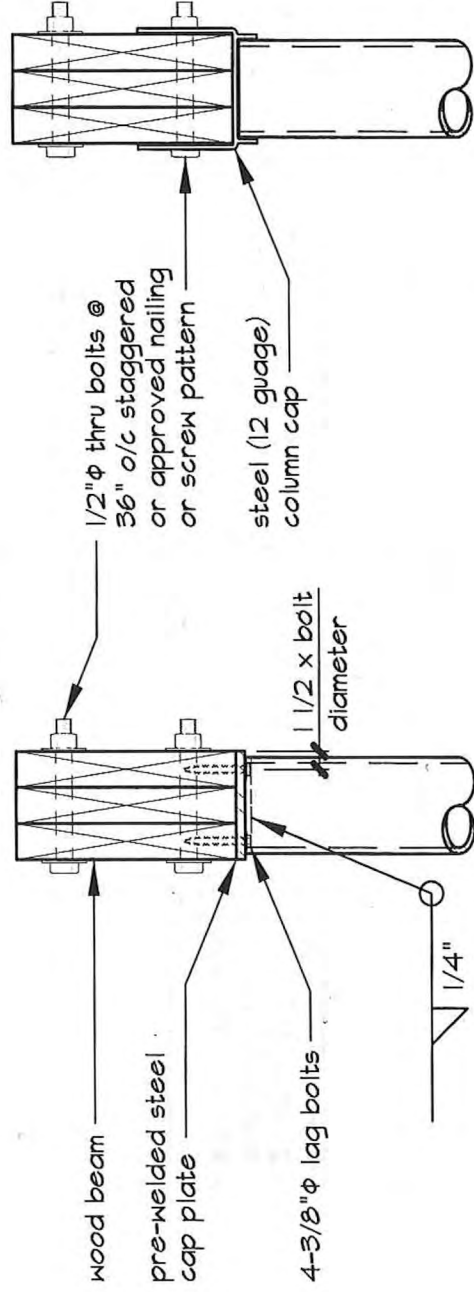
Sheet 1 of 2

**DETAIL
COLUMN & FOOTING**



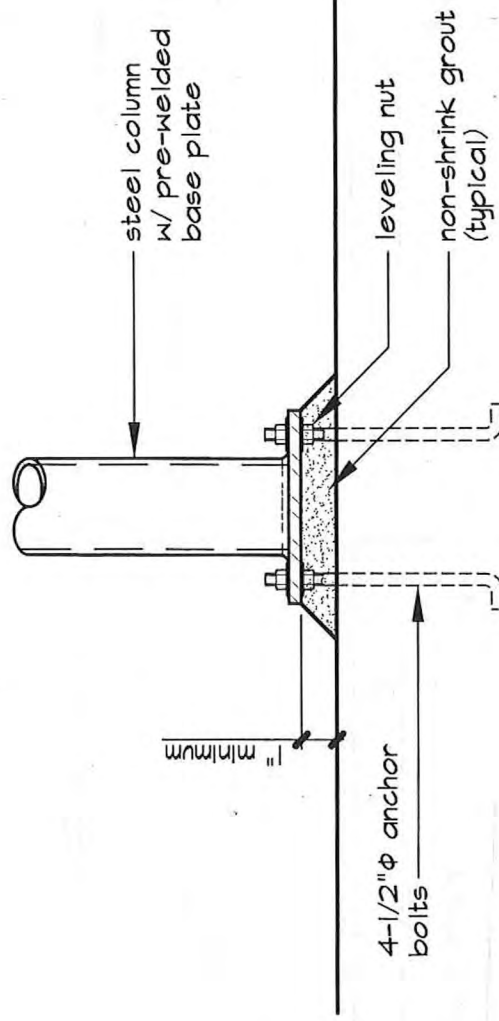
DPIE
DEPARTMENT OF PERMITTING,
INSPECTIONS AND ENFORCEMENT

Prince George's County Government
Dept. of Permitting, Inspections and Enforcement

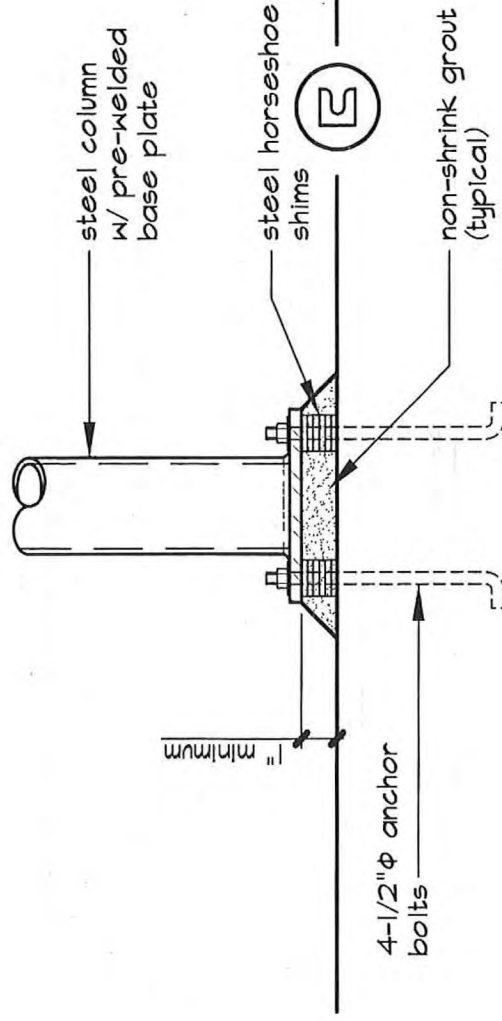


WOOD BEAM OPTIONS

SAMPLE



LEVELING NUT OPTION



STEEL SHIM OPTION

Notes

- 1.) floor joists shall be securely fastened to the wood beam.
- 2.) for wood beams, the steel cap plate shall be a minimum of 1/2" thick x 8" long and the width shall match the width of the beam.
- 3.) steel columns shall not be less than 3-inch inside diameter standard pipe (schedule 40).

WARNING AND DISCLAIMER

This drawing is intended only to be illustrative of the minimum requirements of applicable County ordinances. It is not a blue print, nor a set of plans and specifications. PRINCE GEORGE'S COUNTY, MARYLAND DOES NOT WARRANT OR GUARANTEE IN ANY MANNER OR TO ANY EXTENT THE SUFFICIENCY OF THIS DRAWING. Persons to whom this drawing is distributed should not rely on it as an acceptable plan or blue print for any structure. PRINCE GEORGE'S COUNTY, MARYLAND DISCLAIMS ANY AND ALL LIABILITY FOR DAMAGES OR INJURIES, DIRECT OR CONSEQUENTIAL, ARISING OUT OF THE USE OF THIS DRAWING.

Drawing No.

CF-2

Sheet 2 of 2



DETAILS - BEAM AND COLUMN SETTING OPTIONS

Prince George's County Government
Dept. of Permitting, Inspections and Enforcement

