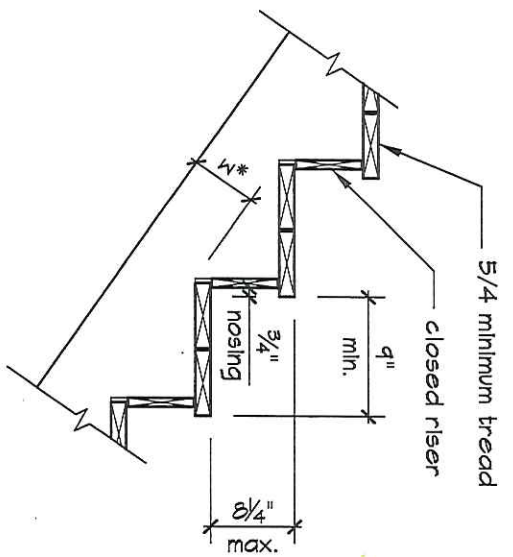


FLOOR PLAN

SCALE: 1/4"=1'-0"

Notes

- 1.) all lumber shall be pressure treated.
- 2.) all connectors, anchors and fasteners shall be either Zmax or post batch hot-dip galvanized steel.
- 3.) do not use standard carbon-steel or aluminum products in direct contact with pressure treated wood.

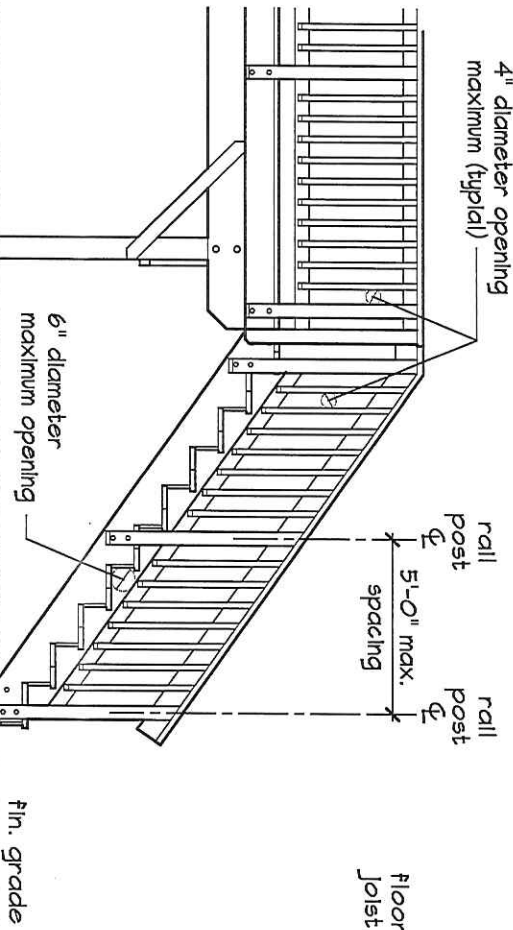


TREADS & RISERS DETAIL

SCALE: 3/4"=1'-0"

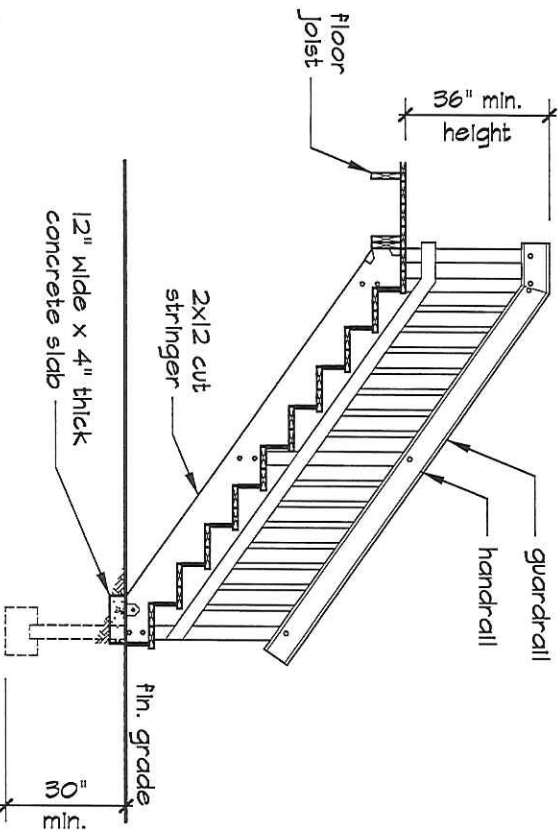
FRAMING & FOUNDATION PLANS

SCALE: 1/4"=1'-0"



SIDE ELEVATION

SCALE: 1/4"=1'-0"



CROSS SECTION

SCALE: 1/4"=1'-0"

ALLOWABLE STRINGER SPANS

riser height	tread width	waist w*	maximum span*
8/4"	9"	5/6"	6'-6"
7"	11"	5/8"	7'-0"
7"	10"	5/2"	7'-0"
6"	12"	5/8"	7'-6"

* stringer span is determined by waist size

WARNING AND DISCLAIMERS

This drawing is intended only to be illustrative of the minimum requirements of applicable County Ordinances. It is not a permit. THE COUNTY OF PRINCE GEORGE'S, MARYLAND DOES NOT WARRANT OR GUARANTEE IN ANY MANNER OR TO ANY EXTENT THE SUFFICIENCY OF THIS DRAWING. Persons to whom this drawing is distributed should not rely on it as an acceptable plan or blue print for any structure. PRINCE GEORGE'S COUNTY, MARYLAND DISCLAIMS ANY AND ALL LIABILITY FOR DAMAGES OR INJURIES, DIRECT OR CONSEQUENTIAL, ARISING OUT OF THE USE OF THIS DRAWING.

Drawing No.

D-025

Sheet 1 of 2

**WOOD DECK STAIRS
FLOOR & FRAMING PLANS,
ELEVATION AND SECTION**



Prince George's County Government
Dept. of Permitting, Inspections and Enforcement

